

Exhibition Registration Form

Please fill in this following form completely until **July 31st, 2020**

Aachen Acoustics Colloquium

Fax: +49 241 80-22341

E-Mail: stupp@aachen-acoustics-colloquium.com

Purchase order and selection of booth construction can be found on page 2.

Full company name for printed products (will be printed as specified!)

Invoice address

Company:

Recipient:

ZIP:

Country:

Order no.:

Street:

City:

VAT no.:

Supplier no.:

Contact person

Forename:

Dept.:

E-Mail:

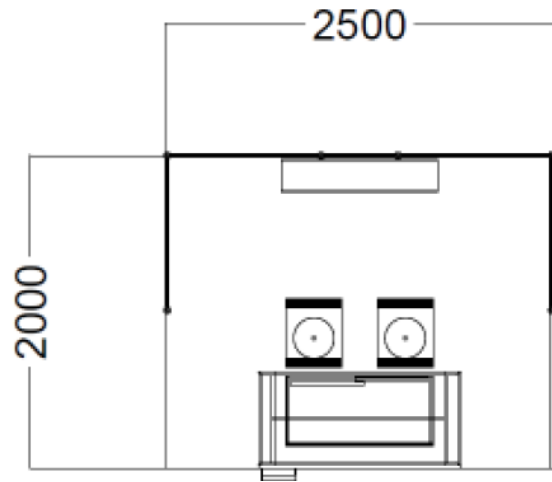
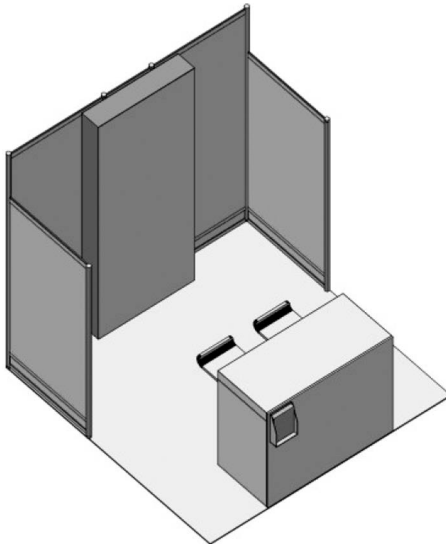
Comments:

Surname:

Phone:

Booth equipment, further information and purchase order on next page.

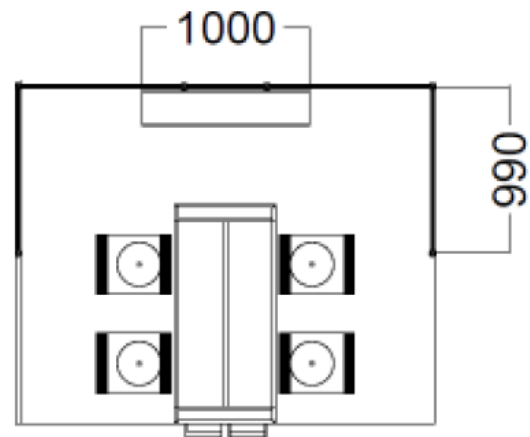
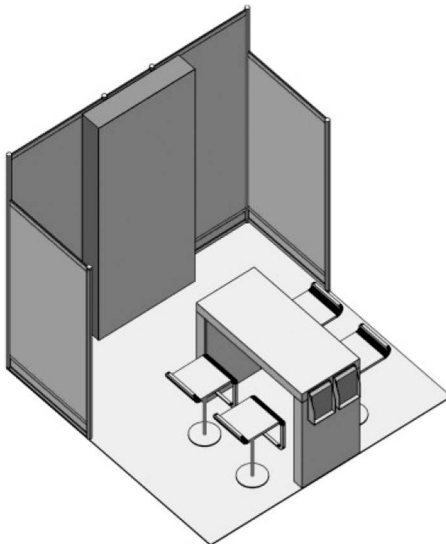
Booth with Counter



Exhibition space with Counter
€ 1.800,00 + VAT

Fully equipped 5 m² booth, including:
Counter, 2 baar stools, brochure display,
Backlit-banner H = 248 cm, W = 98 cm

Booth with Hightable



Exhibition space with Hightable
€ 1.800,00 + VAT

Fully equipped 5 m² booth, including:
Hightable, 4 baar stools, brochure display,
Backlit-banner H = 248 cm, W = 98 cm

Please select one of the booth options above.

By signature the terms of business are accepted and the information on page 3 have been noticed.

Date:

Signature:

Information for exhibitors

Organizer:	Aachen Acoustics Colloquium GbR P.o. Box 10 01 70 52001 Aachen Germany Fax: +49 241 80-22341
Venue:	Parkhotel Quellenhof Aachen, Monheimsallee 52, Aachen, Germany
Date:	November 23 - 25, 2020
Contact:	Mr. Robin Stupp Phone: +49 241 80-27651 stupp@aachen-acoustics-colloquium.com
Booth builder:	Top Messebau GmbH Ms. Annette Jahn Phone: +49 2403 7839-14 Fax: +49 2403 7839-19 E-Mail: aj@topmessebau.de
Contingents booth supervisors:	1 booth supervisor per booth Additional booth supervisors have to be registered separately by using the regular registration form.
Included services: (for booth supervisors)	Entrance to the exhibition and the presentations Entrance to the banquet Entrance to the opening welcome Proceedings Beverages Lunches Publication of a company profile in the digital proceedings max. 1 page (English) in formatted templates.
Deadlines:	Return of this exhibitor registration form until July 31st, 2020 Notification of acceptance of the exhibitors starting mid-September 2020